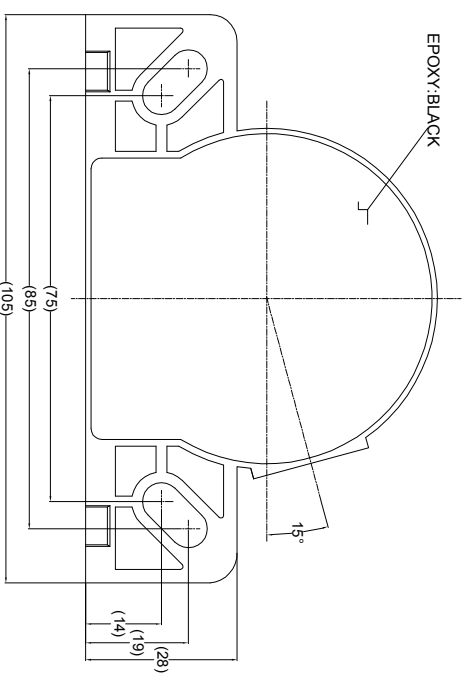
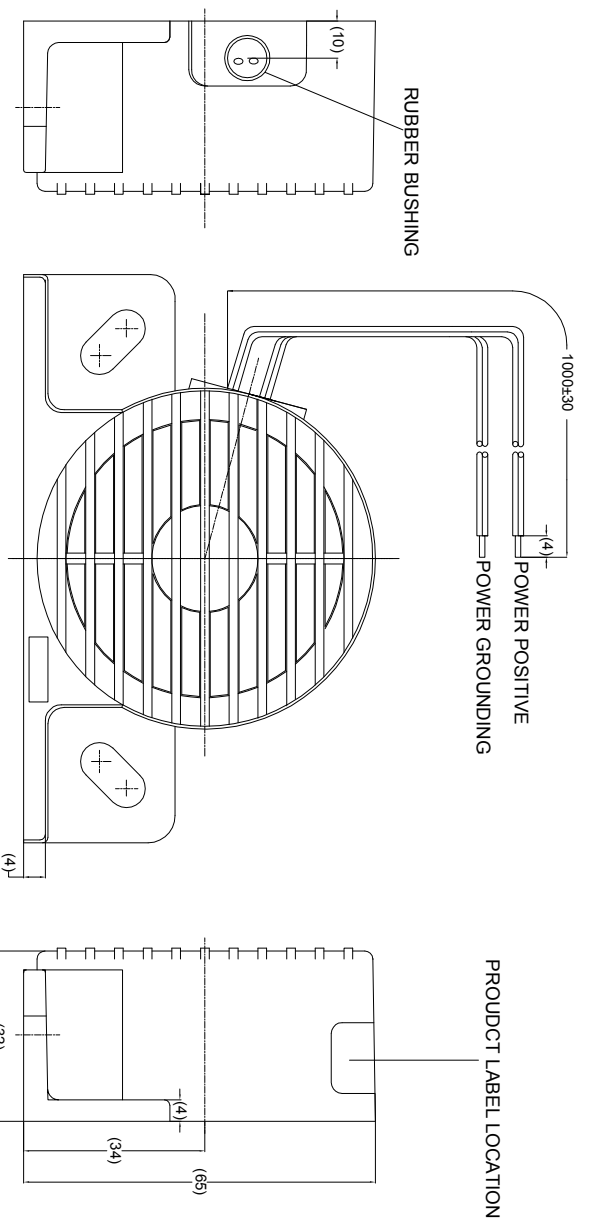
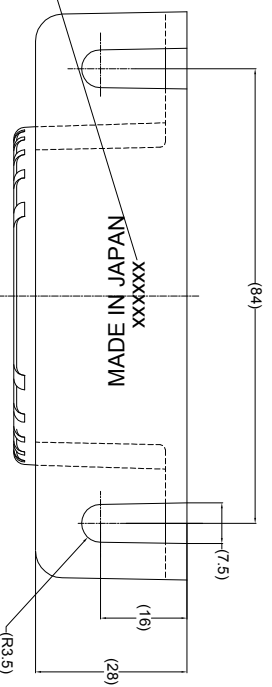
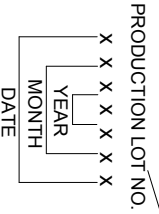


Revision Notes:			
R1 - DRAWING UPDATED TO REFLECT CURRENT PRODUCT.			
APR: KIDA	DRAWN: BATES	CHECKED: G.P.LITH	APPROVED: B. JOHN
			DATE: 11/05/13



- SPECIFICATION:**
1. RATED VOLTAGE 12/24 VDC (WORKING VOLTAGE RANGE 9 TO 32V)
 2. RATED CURRENT: 0.2 AMPERES OR LESS.
 3. SOUND PRESSURE: 87±4dB AT TEST VOLTAGES OF 14/28 VOLTS.
 4. FREQUENCY: 1400±200Hz AT TEST VOLTAGES OF 14/28 VOLTS.
 5. INTERMITTENCE: 80±10 CYCLES PER MINUTE AT TEST VOLTAGES OF 14/28 VOLTS.
 6. DURABILITY: CONTINUOUS 500 HOURS AT TEST VOLTAGE OF 32 VOLTS.
 7. TEMPERATURE: RANGE -40°C ~ 85°C.
 8. SURGE VOLTAGE TEST: TO BE ABNORMALITY-FREE AS TESTED SUBJECT TO ISO7637 ITEM 3a,3b,5.
 9. ENVIRONMENTAL TESTS PER SAE J894.



NOTES:
 1. FOR PRODUCT LABEL, REFER TO LATEST REVISION OF DRAWING BE-002399-XX-13.

PROPRIETARY NOTICE
 THIS DESIGN AND TECHNICAL INFORMATION APPEARING ON THIS DRAWING IS THE PROPERTY OF BRIGADE ELECTRONICS, AND IS DISCLOSED IN CONFIDENCE. IT IS NOT TO BE COPIED, REPRODUCED, REVEALED TO OR EXPLOITED BY OTHERS, EITHER IN WHOLE OR IN PART WITHOUT THE EXPRESS WRITTEN CONSENT OF BRIGADE ELECTRONICS.

BRIGADE
 www.brigade-electronics.com

Assembly PI Approval KILDA 11/05/13		Approved by DKERAL		Checked by DKERAL		Drawn by BKHEZR	
Angle of Projection Third Angle		Units mm	Scale N/A	Released 22/06/04	Assembly Ref BA-130		
Status RELEASED		Part No A1456		BE-000168-01-04			